



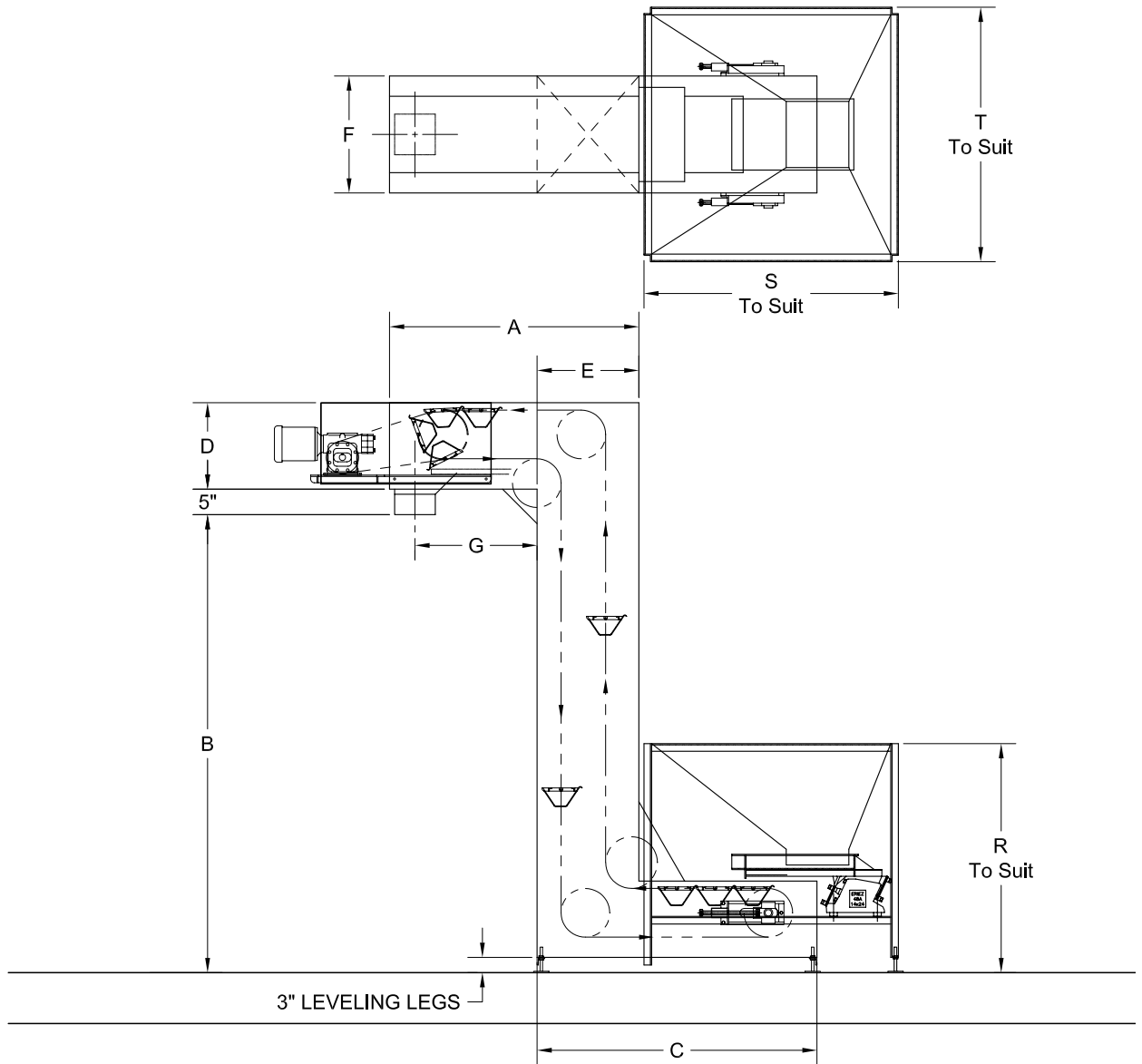
FRAZIER & SON

PO Box 2847  
Conroe, Texas 77305

101 Longview Drive  
Conroe, Texas 77301

800.365.5438  
936.494.4040  
Fax: 936.494.4045

# BUCKET ELEVATORS CONFIGURATION SHEET 2



## *WHIZ-LIFTER* MODEL C with HOPPER and VIBRATORY FEEDER SANITARY CHANNEL FRAME CONSTRUCTION

BUCKET SIZE	A*	C*	D	E	F	G*	J	R	S	T
4" x 8"	35	36	12	13	15	18	10	35	45	35
6" x 10"	42	42	14	17	17	21	12	35	45	35
7-1/2" x 15"	49	55	17	20	23	24	15	45	50	50
9" x 20"	60	72	20	23	28	30	18	●	●	●
12" x 30"	73	90	26	30	39	36	24	●	●	●

\*Minimum Dimensions

●Denotes Custom Dimensions